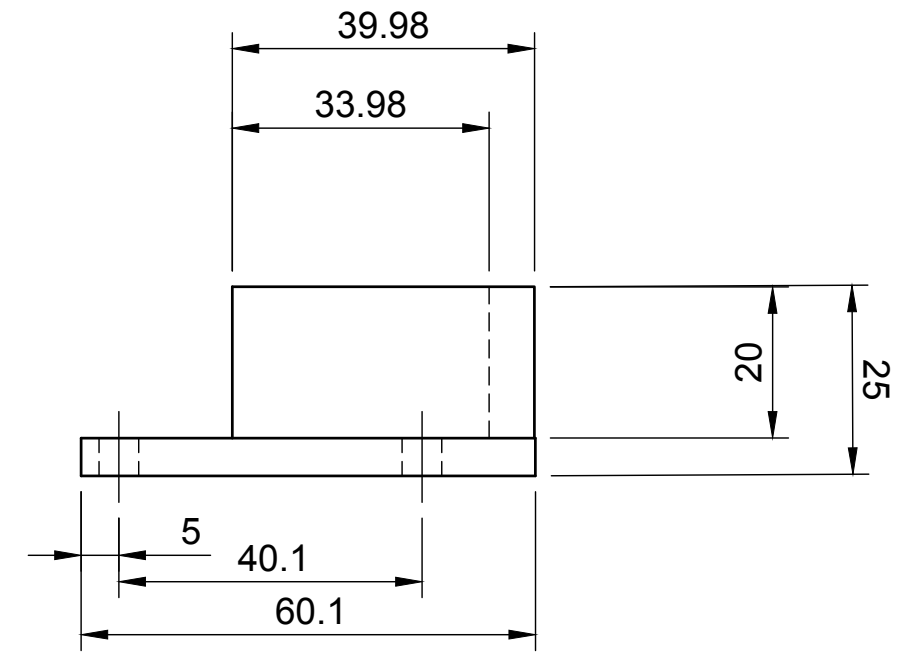
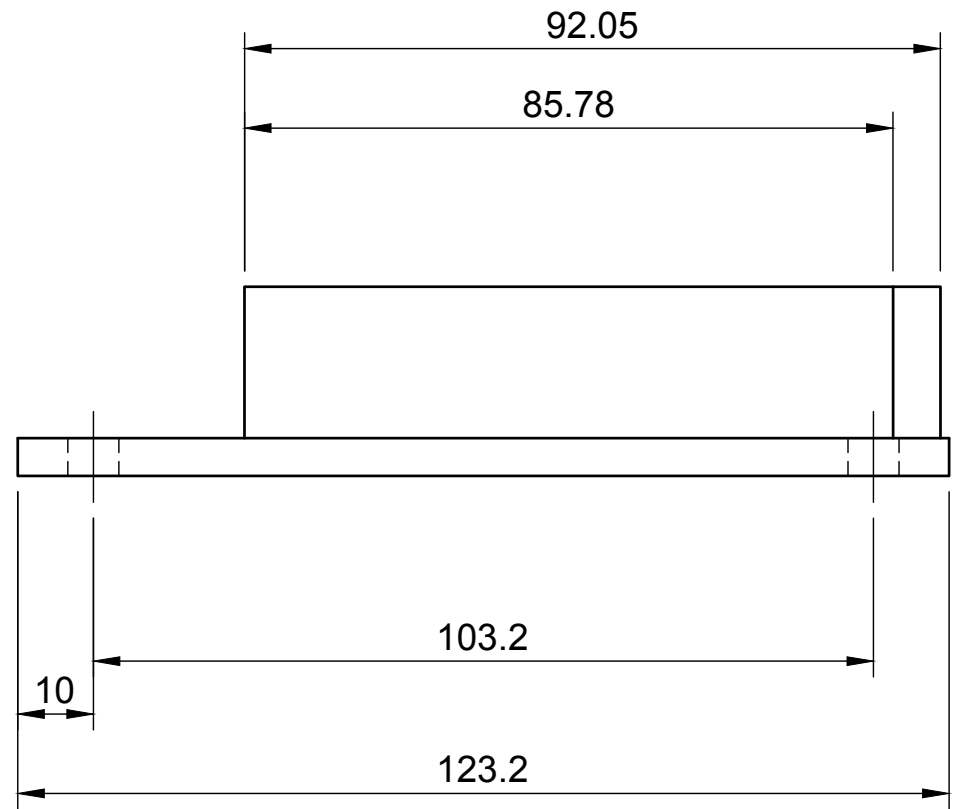
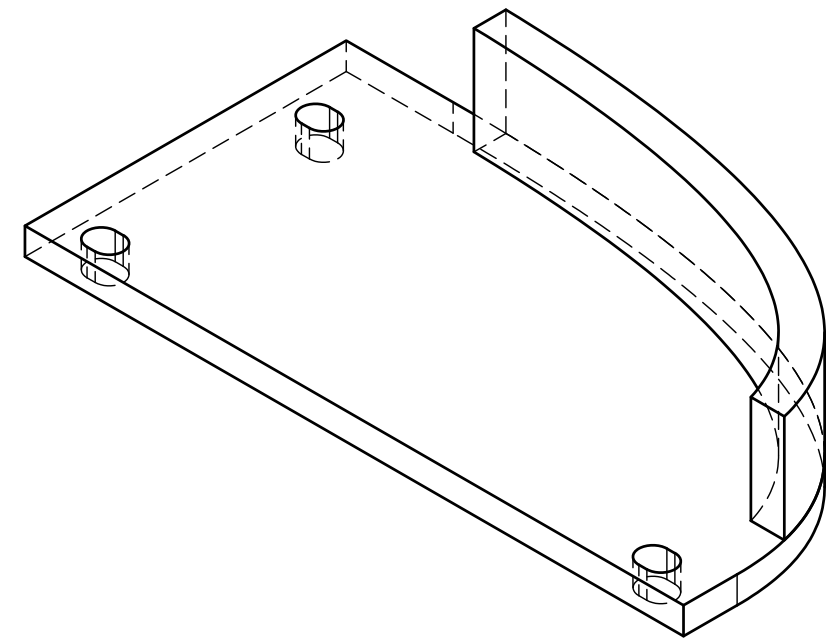
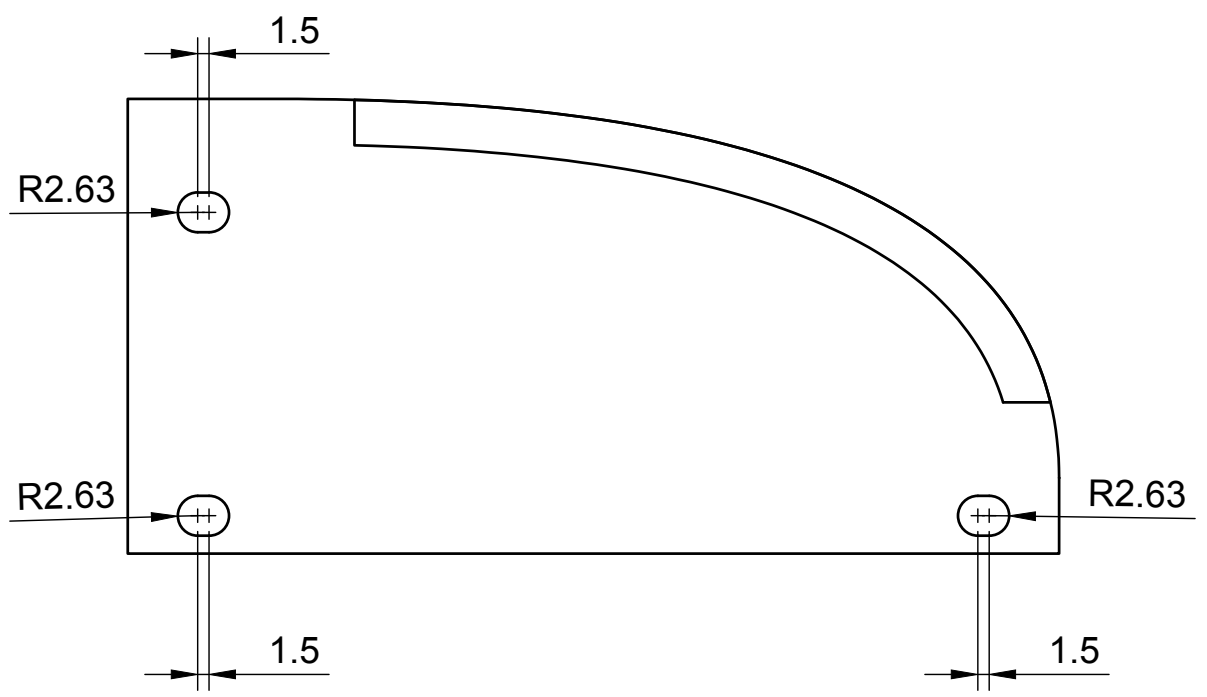


1 2 3 4 5 6 7 8

A B C D E F



Dept.	Technical reference	Created by <b>2403</b>	2025/01/09	Approved by
		Document type	Document status	
		Title <b>Lcover</b>	DWG No.	
Rev.	Date of issue	Sheet <b>1/1</b>		

1 2 3 4 5 6 7 8