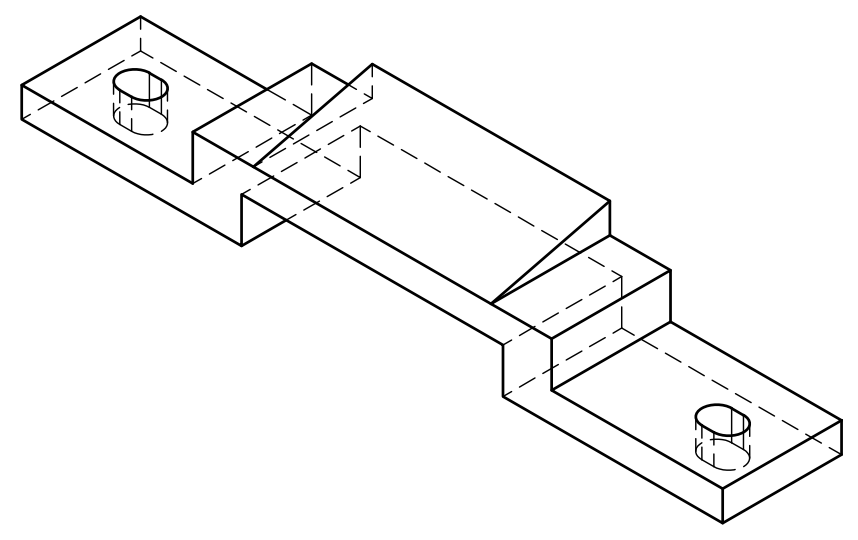
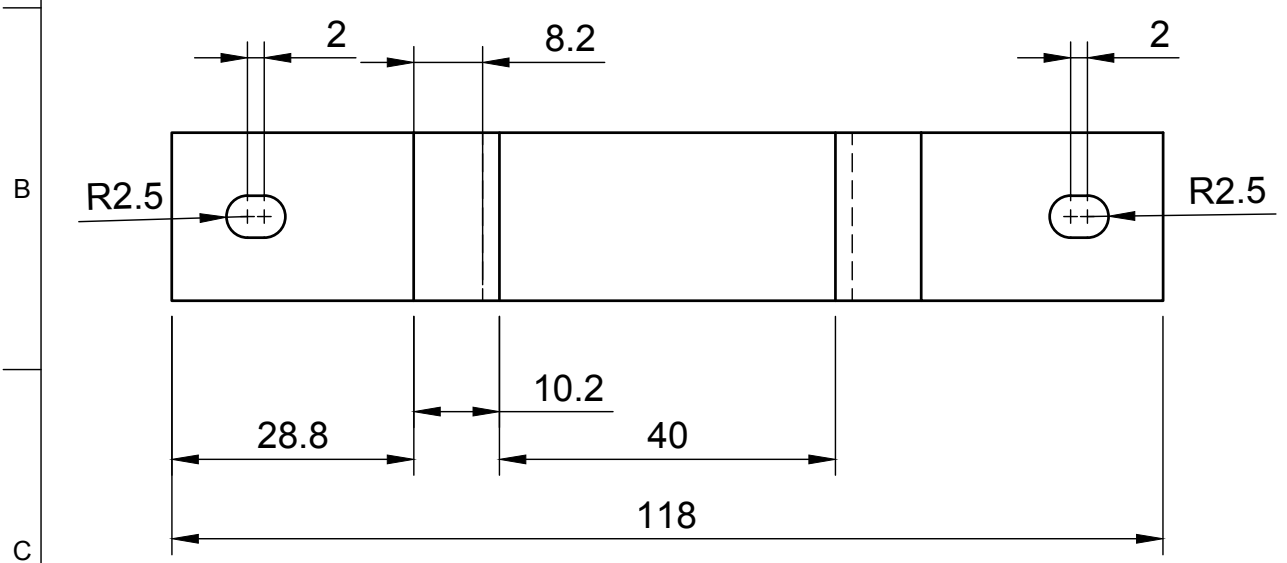


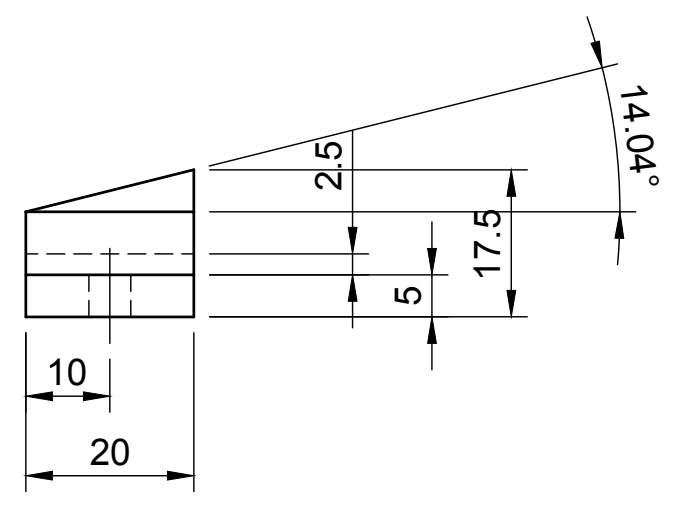
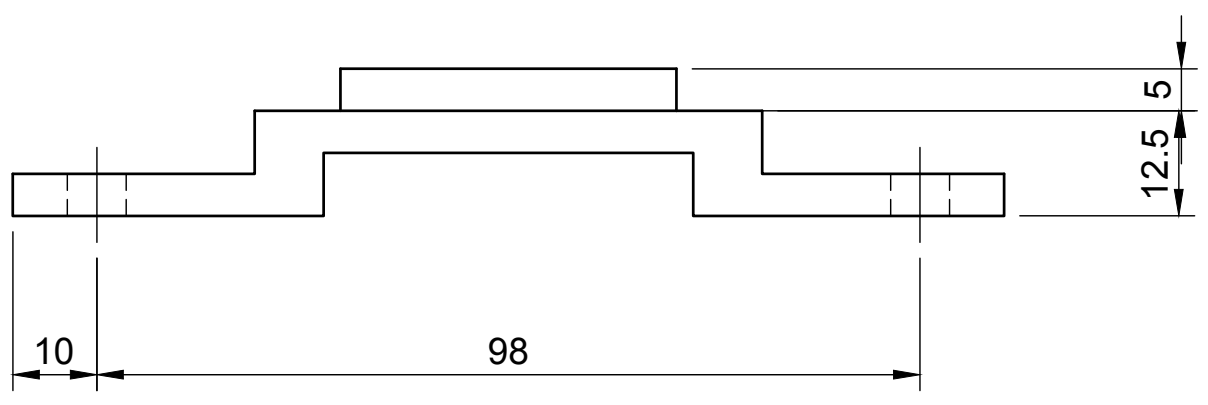
1 2 3 4 5 6 7 8

A A



B B

C C



D D

E E

F F

Dept.	Technical reference	Created by 2403	2025/01/09	Approved by
		Document type	Document status	
		Title カメラマウント 上側	DWG No.	
Rev.	Date of issue	Sheet		1/1

1 2 3 4 5 6 7 8