

1

2

3

4

5

6

A

A

B

B

C

C

D

D

E

E

F

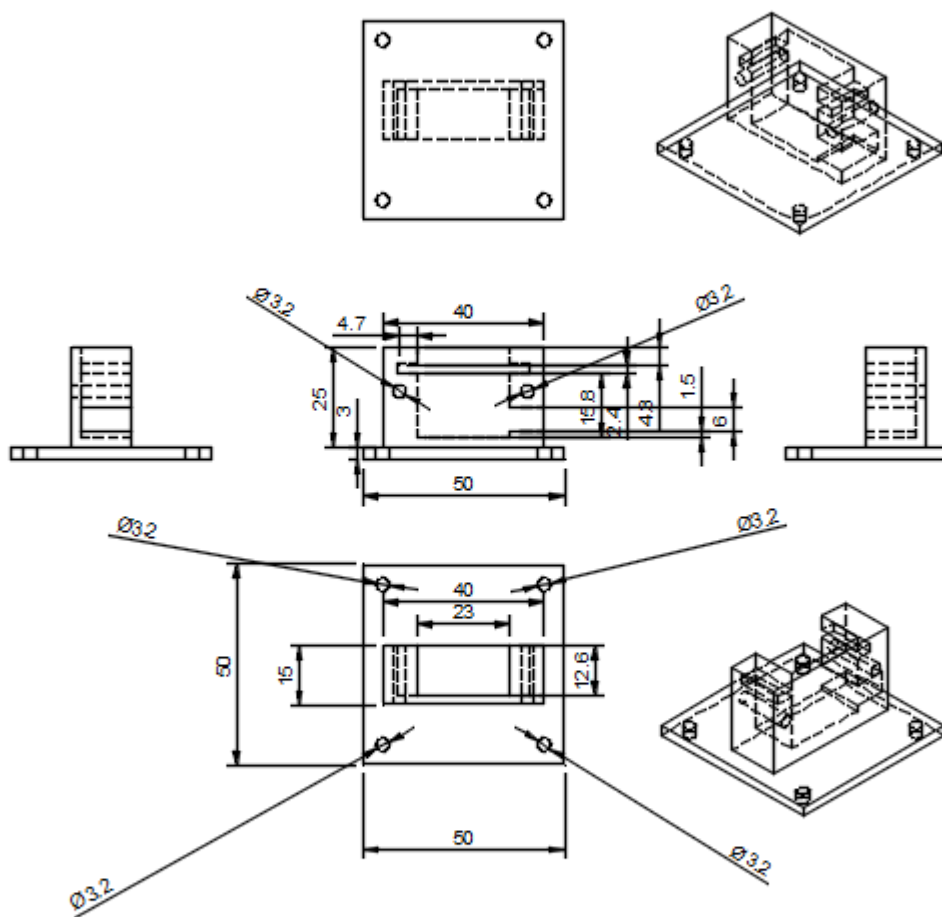
F

G

G

H

H



DEPT	TECHNICAL SERVICE	Yuzo Tateyama 2024/10/25	APPROVED BY APPROVED DATE
		Document type	Document status
		DOCUMENT TYPE	DOCUMENT STATUS
		Title	DWG No.
		サーボ固定パーツ1	DRAWING_NUMBER
		TITLE_2	
		TITLE_3	
		Rev.	Date of Issue
		REV.	DATE OF ISSUE 1/1

1

2

3

4

5

6