

1

2

3

4

5

6

A

A

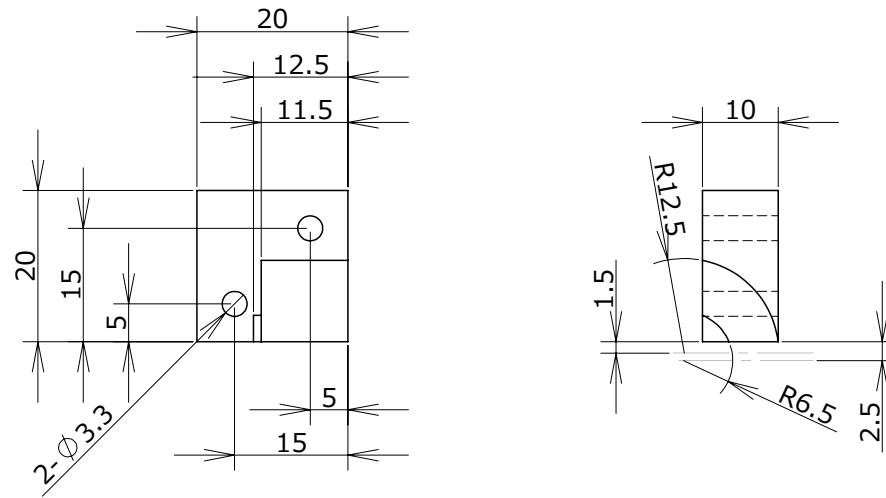
B

B

C

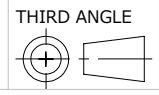
C

D



APPROVED
YYYY.MM/DD -
CHECKED
YYYY.MM/DD -
DESIGNED
2017.6/12 sekihara shu

SCALE
1:1



MATERIAL

ABS樹脂

PART NAME

バッテリーホルダ-11

DRAWING CODE

-

REV.2	
REV.1	
FINISH	-
TREATMENT	-