

1

2

3

4

5

6

A

A

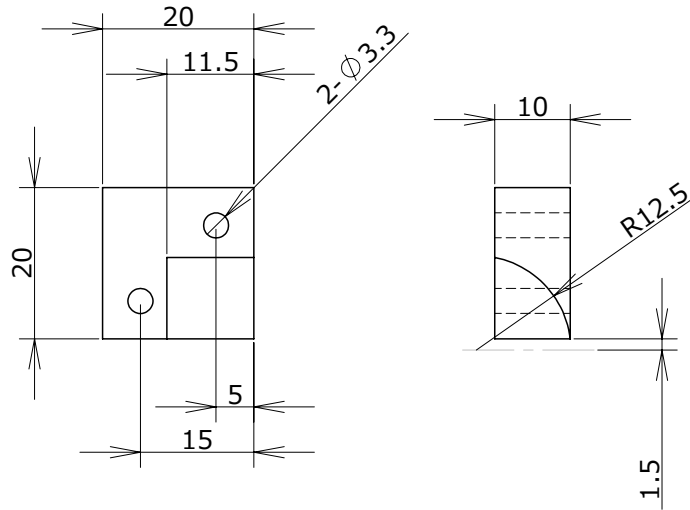
B

B

C

C

D



APPROVED
YYYY.MM/DD -
CHECKED
YYYY.MM/DD -
DESIGNED
2017.6/12 sekihara shu

SCALE	THIRD ANGLE
1:1	

REV.2		MATERIAL	ABS樹脂
REV.1		PART NAME	バッテリーホルダ-1
FINISH	-	DRAWING CODE	-
TREATMENT	-		