

A

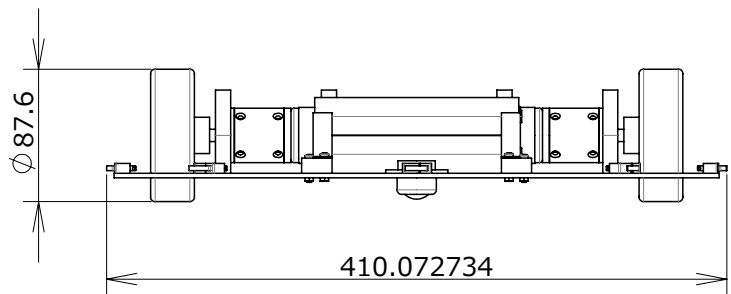
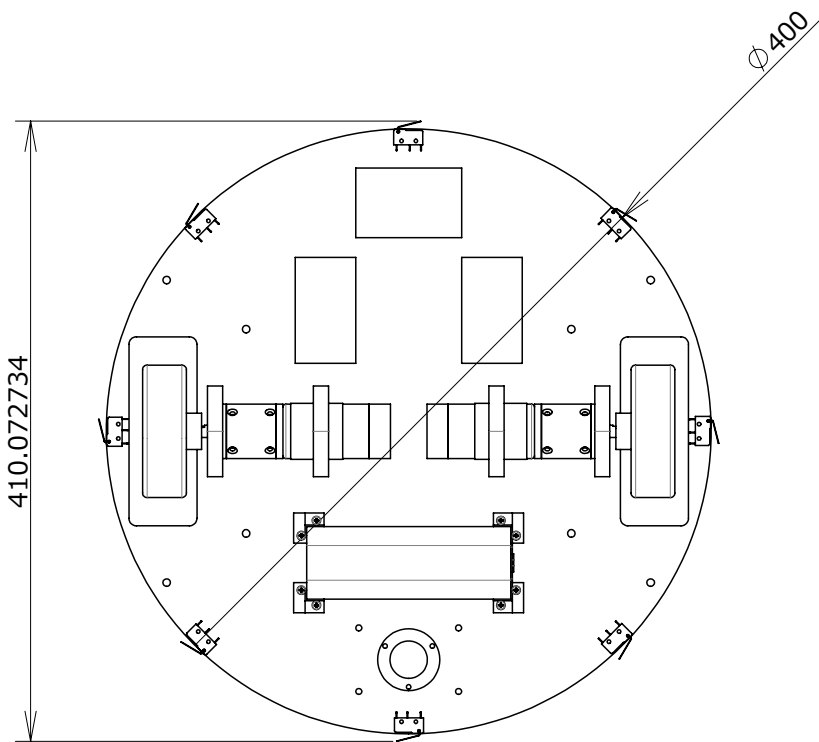
B

C

D

E

F



APPROVED
YYYY.MM/DD -
CHECKED
YYYY.MM/DD -
DESIGNED

SCALE  
**1:1**

THIRD ANGLE

2017.MM/DD  
sekihara shu

REV.2	
REV.1	
FINISH	
-	
TREATMENT	
-	

MATERIAL	-
PART NAME	下段ユニット
DRAWING CODE	03#10-SA-00