

1

2

3

4

5

6

A

A

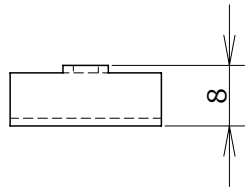
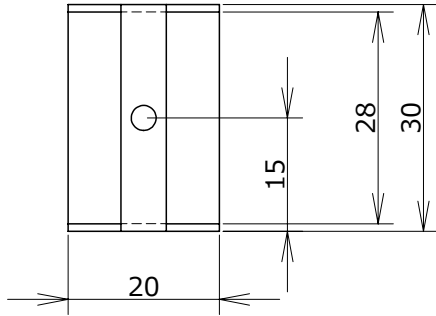
B

B

C

C

D



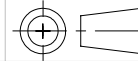
個数1

APPROVED
YYYY.MM/DD -
CHECKED
YYYY.MM/DD -
DESIGNED

SCALE

1:1

THIRD ANGLE



2017.MM/DD
sekihara shu

REV.2

REV.1

FINISH

-

TREATMENT

-

MATERIAL

1060 合金

PART NAME

タッチセンサ 電極

DRAWING CODE

03#30-P-33