

1

2

3

4

A

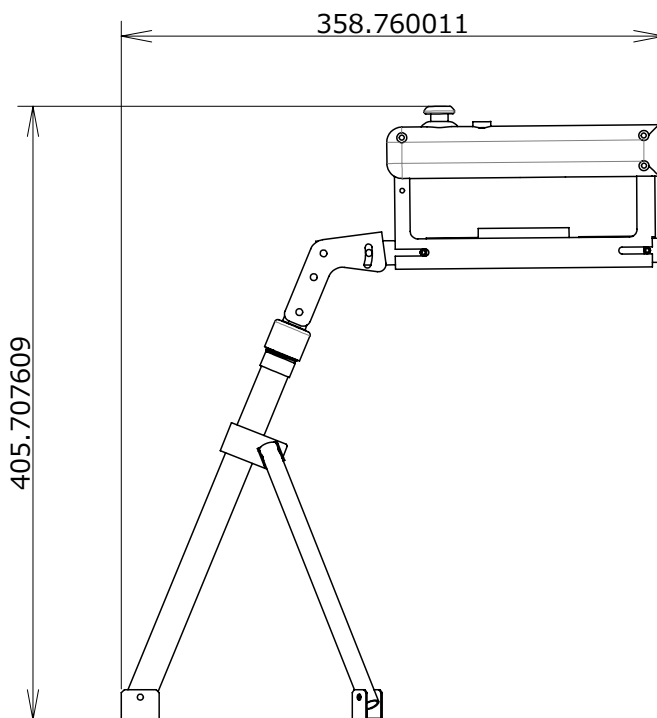
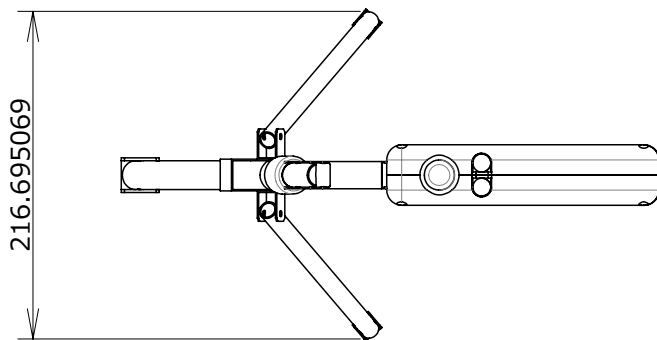
B

C

D

E

F



APPROVED
YYYY.MM/DD -
CHECKED
YYYY.MM/DD -
DESIGNED

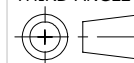
SCALE

1:5

MATERIAL

-

THIRD ANGLE



2017.MM/DD
sekihara shu

REV.2

REV.1

FINISH

-

TREATMENT

-

PART NAME

ハーネスユニット

DRAWING CODE

03#30-SA-01