

1

2

3

4

A

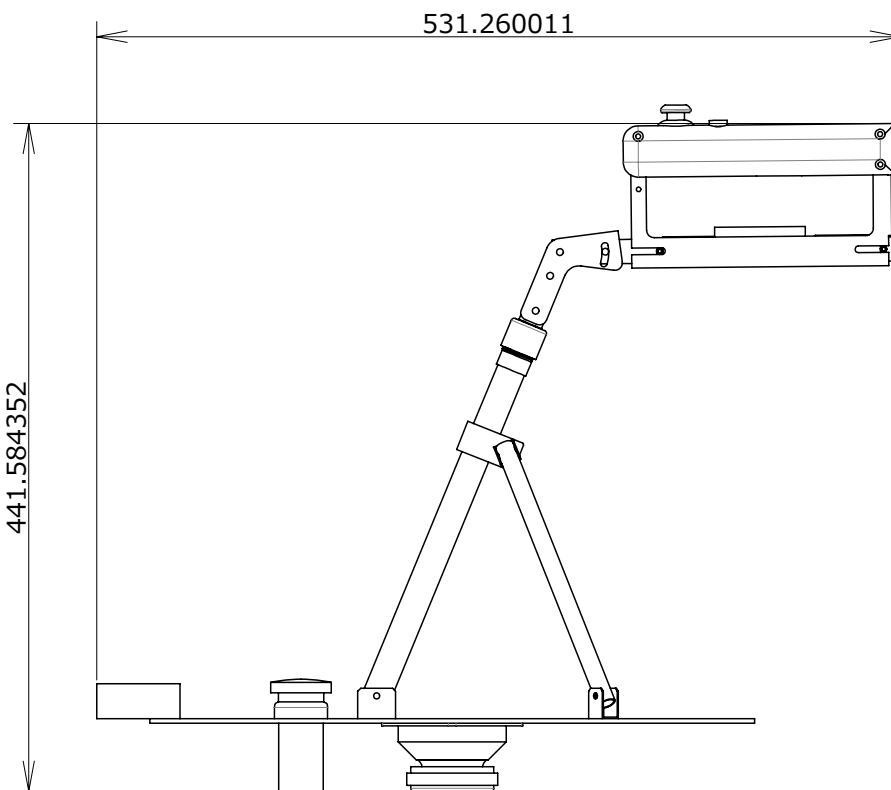
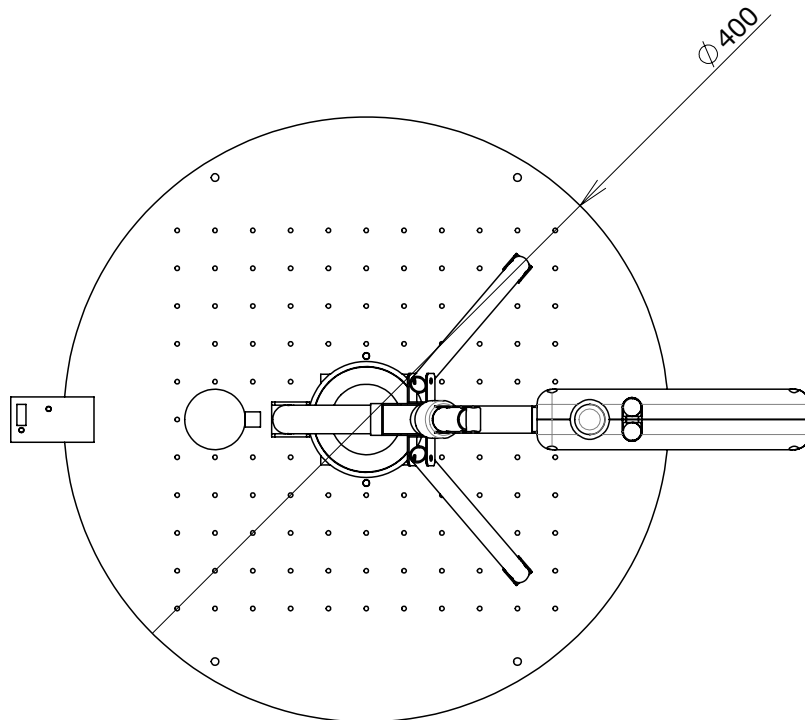
B

C

D

E

F



APPROVED

YYYY.MM/DD

-

CHECKED

YYYY.MM/DD

-

DESIGNED

2017.MM/DD  
sekihara shu

SCALE

1:5

MATERIAL

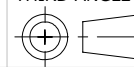
PART NAME

上段ユニット

DRAWING CODE

03#30-SA-00

THIRD ANGLE



REV.2

REV.1

FINISH

-

TREATMENT

-