

1

2

3

4

A

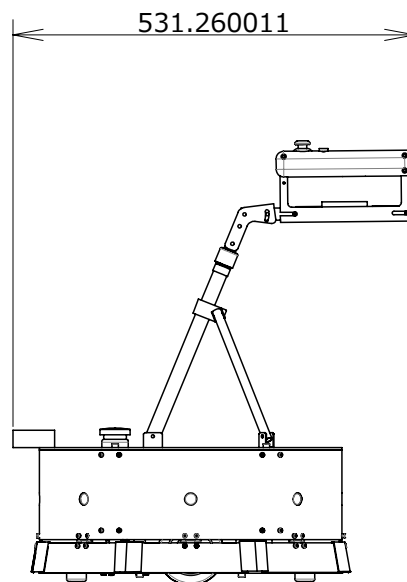
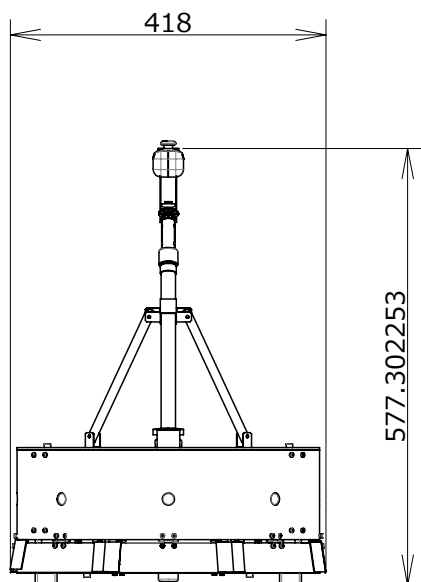
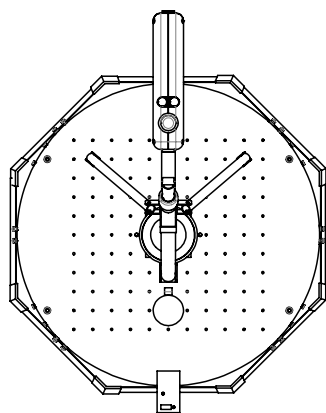
B

C

D

E

F



APPROVED

YYYY.MM/DD

-

CHECKED

YYYY.MM/DD

-

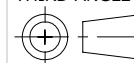
DESIGNED

2017.MM/DD
sekihara shu

SCALE

1:10

THIRD ANGLE



MATERIAL

REV.2
REV.1
FINISH

PART NAME

MIRS1701 機体

TREATMENT

DRAWING CODE
03#00-AS-00