

1

2

3

4

A

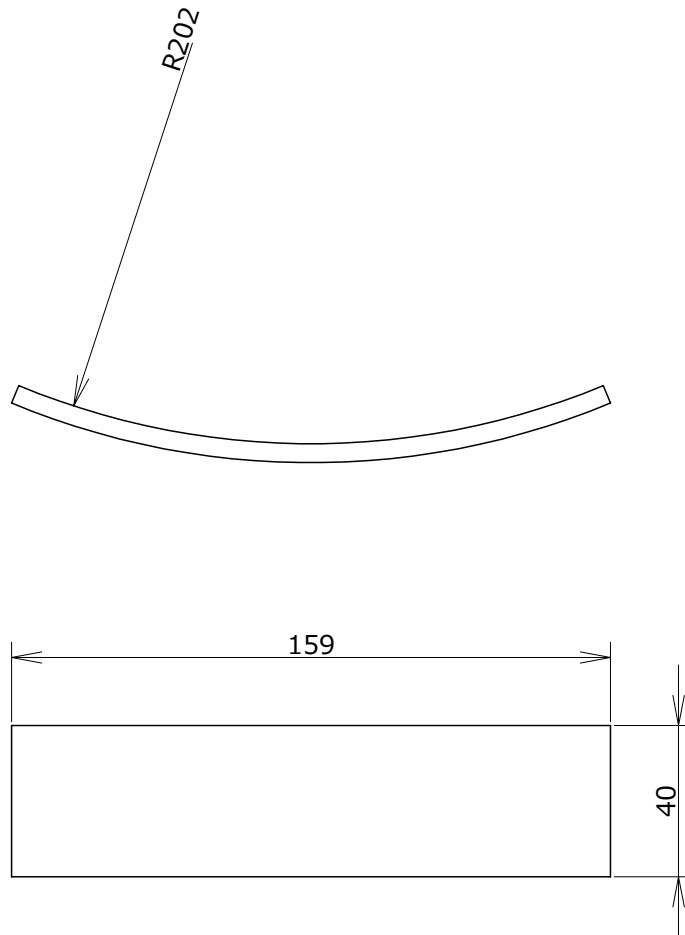
B

C

D

E

F



APPROVED

YYYY.MM/DD

-

CHECKED

YYYY.MM/DD

-

DESIGNED

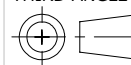
2017.11/1

sekihara shu

SCALE

1:5

THIRD ANGLE



MATERIAL

-

PART NAME

タッチセンサアセンブリ

DRAWING CODE 02#40-SA-01

-

REV.2

REV.1

FINISH

-

TREATMENT

-