

1

2

3

4

A

B

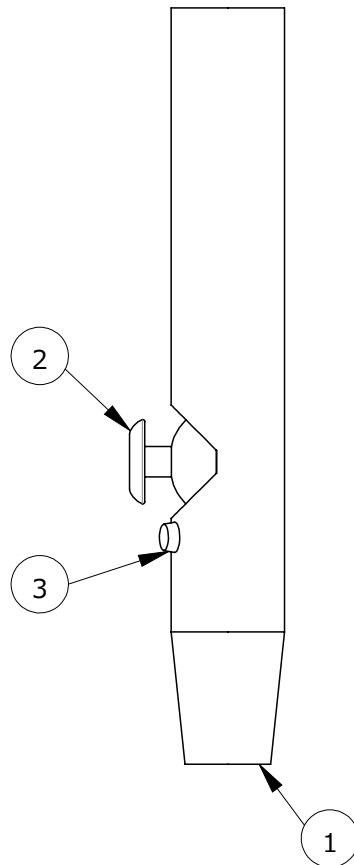
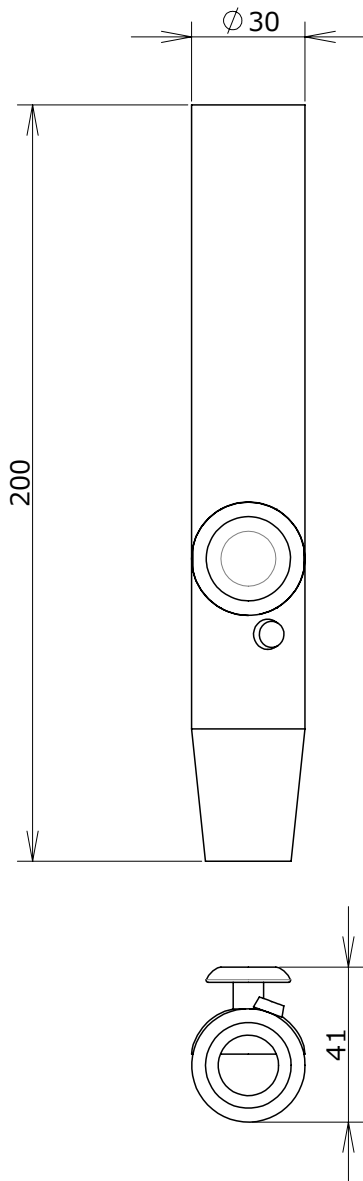
C

D

E

F

部品番号	部品名	個数
1	02#30-P-05	1
2	02#30-P-06	1
3	02#30-P-07	1

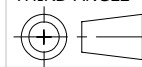


APPROVED
YYYY.MM/DD -
CHECKED
YYYY.MM/DD -
DESIGNED

SCALE

1:2

THIRD ANGLE



MATERIAL

REV.2
REV.1

FINISH

CONTROL ASSEMBLY

DRAWING CODE 02#30-SA-03

TREATMENT

2017.11/1
sekihara shu