

1

2

3

4

A

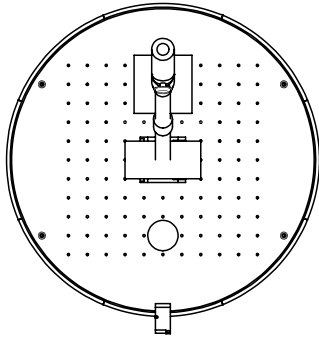
部品番号

部品名

個数

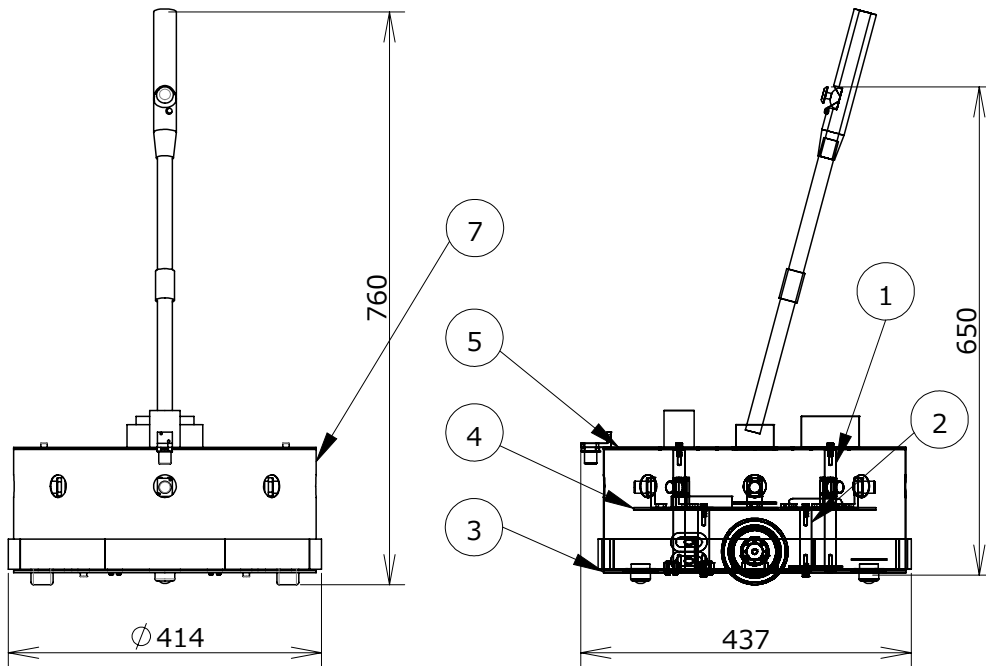
1	02#00-P-01	4
2	02#00-P-02	4
3	02#10-SA-00	1
4	02#20-SA-00	1
5	02#30-SA-00	1
6	JIS B 1176 M5 x 12 (12) --S	12
7	02#40-SA-00	1

B



C

D



E

APPROVED

YYYY.MM/DD

-

CHECKED

YYYY.MM/DD

-

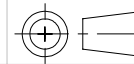
DESIGNED

2017.11/1
sekihara shu

SCALE

1:20

THIRD ANGLE



MATERIAL

REV.2
REV.1

FINISH

PART NAME
MIRS1701 概観図

TREATMENT
DRAWING CODE 02#00-AS-00

F