

1 2 3 4 5 6 7 8

A

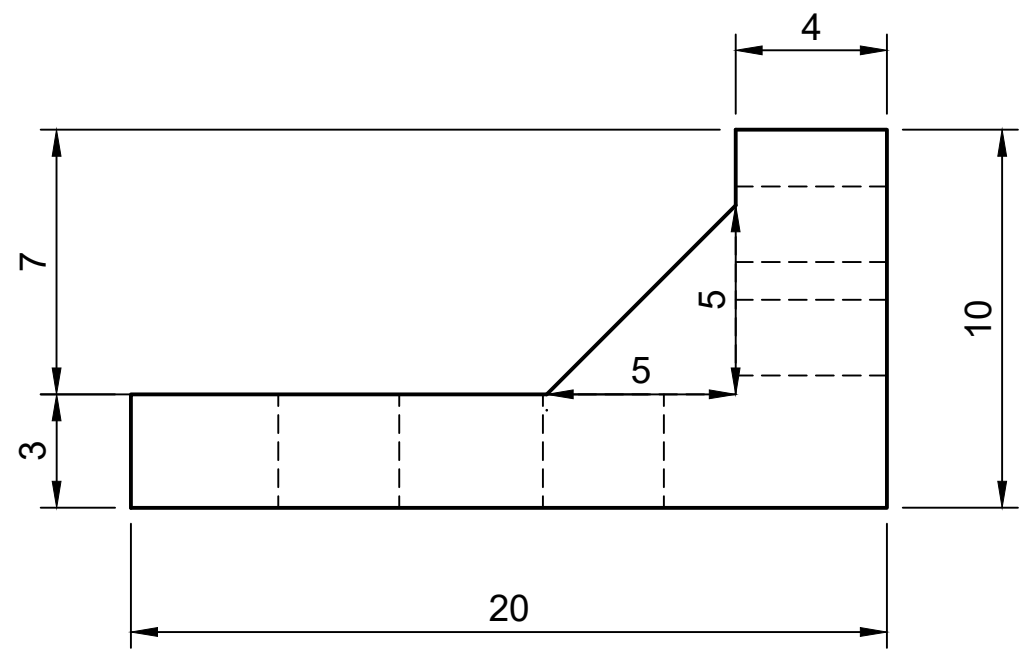
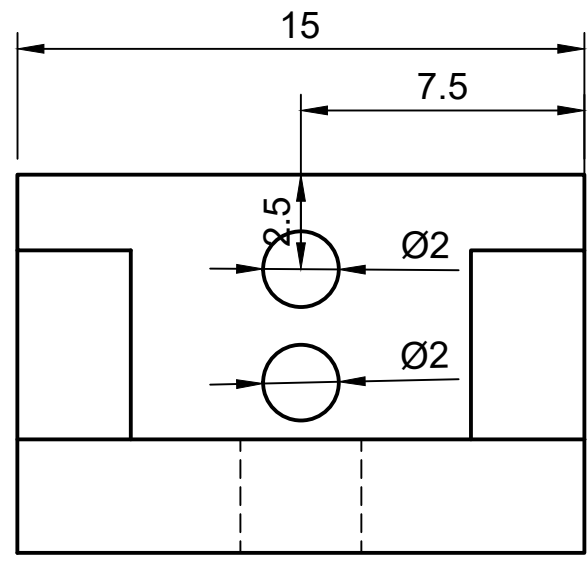
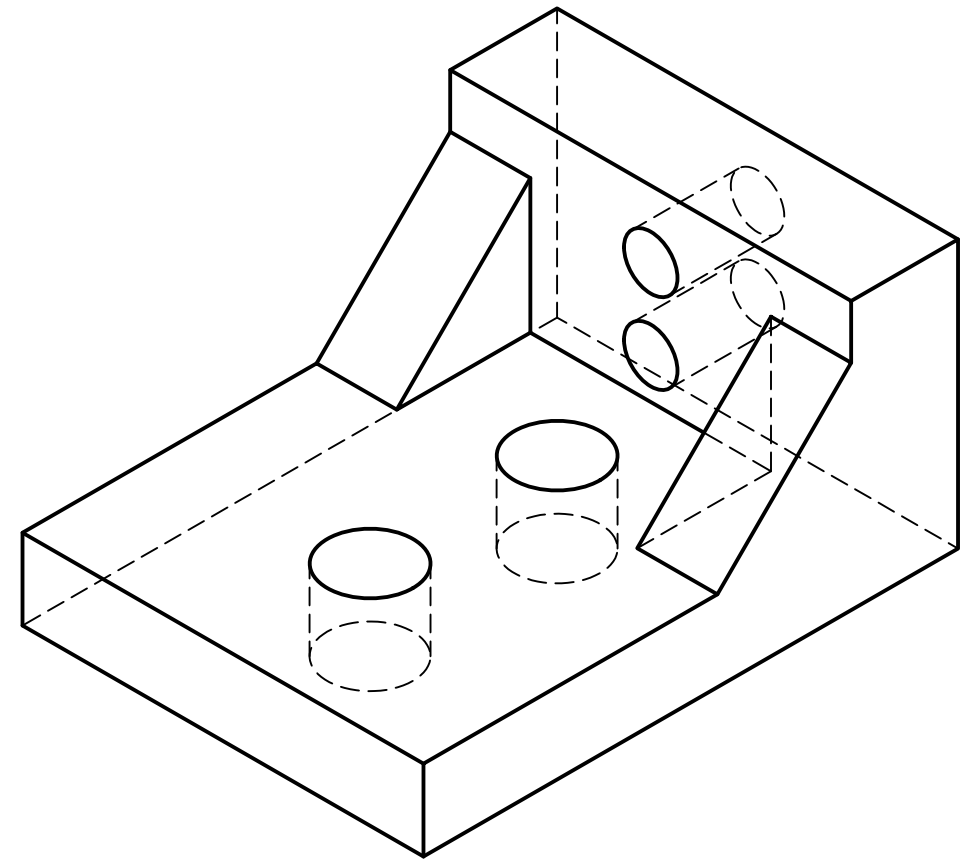
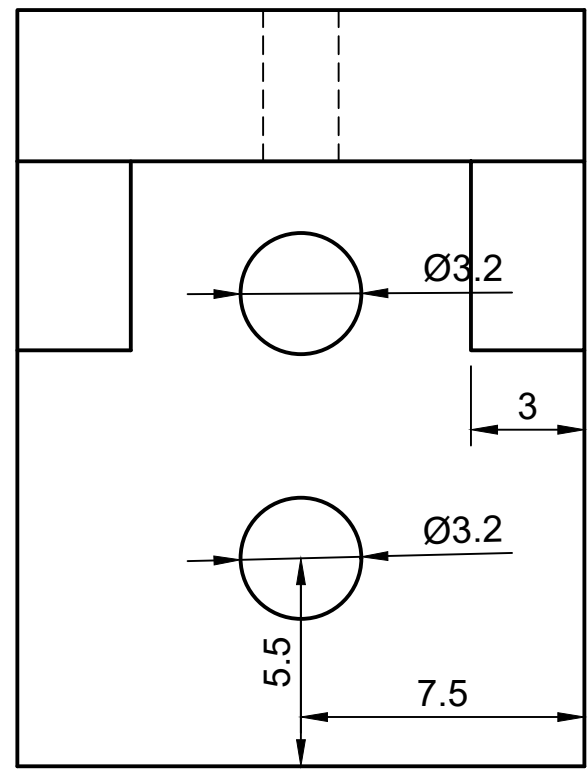
B

C

D

E

F



Dept.	Technical reference	Created by 大輝 渡邊	2022/02/20	Approved by
		Document type	Document status	
		Title 鼻取り付けパーツ	DWG No.	
Rev.	Date of issue	Sheet	1/1	

1 2 3 4 5 6 7 8