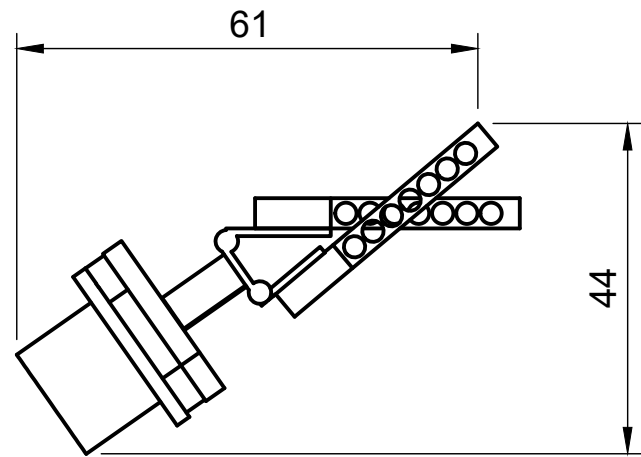
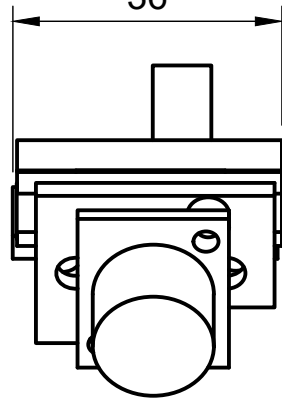


36



Dept.	Technical reference	Created by Kohto NAKAMURA 2020/11/28	Approved by	
Scale 1:1		Document type	Document status	
		Title USS_Mount	DWG No.	
		Rev.	Date of issue	Sheet 1/1