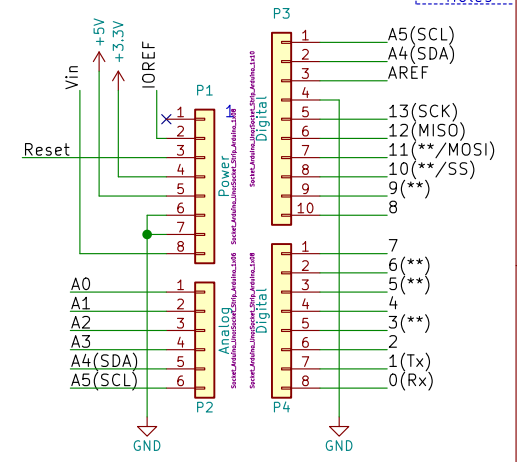
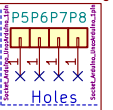


Shield for Arduino that uses the same pin disposition like "Uno" board Rev 3.



Sheet: /
File: MIRS1801.sch

Title:

Size: A4 Date: lun. 30 mars 2015
KiCad E.D.A. kicad (5.0.0)

Rev:
Id: 1/1